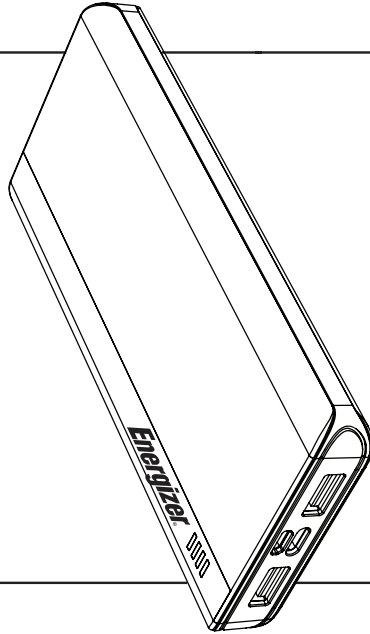


Energizer®

UE10054



Includes

EN

Specification:

Model Name : UE10054
Cell Type : Lithium Polymer
Battery Capacity : 10000 mAh/ 37 Wh (Max.)
Rated Input : Micro USB 5V/2A
Rated Input : USB-C 5V/2A
Total Output : USB-A 5V/2.1A (Max.)
Total Output : 10.5W (Max.)
Dimensions : 141(L) x62.5(W) x16(H)mm
Weight : 228g±10g

SP

Especificaciones:

Modelo : UE10054
Tipo de celda : Polímeros de Litio
Capacidad de la batería : 10000 mAh/ 37 Wh (Max.)
Tensión de Entrada : Micro USB 5V/2A
Tensión de Entrada : USB-C 5V/2A
Producción total : USB-A 5V/2.1A (Max.)
Producción total : 10.5W (Max.)
Dimensiones : 141(L) x62.5(W) x16(H)mm
Peso : 228g±10g

FR

Spécifications:

Modèle : UE10054
Type de cellule : Lithium Polymère
Capacité de la batterie :
10000 mAh/ 37 Wh (Max.)
Entrée : Micro USB 5V/2A
Sortie : USB-A 5V/2.1A (Max.)
Sortie totale : 10.5W (Max.)
Dimensions : 141(L) x62.5(W) x16(H)mm
Poids : 228g±10g

IT

Specifiche tecniche:

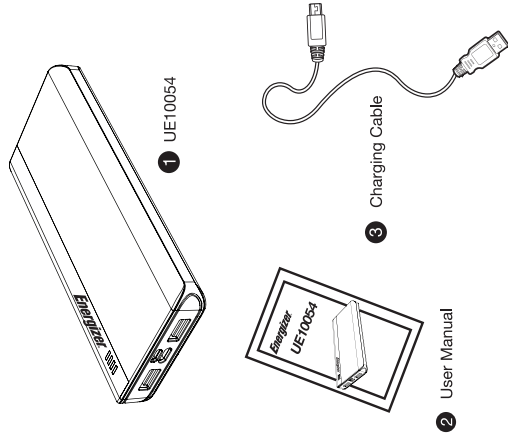
Modello : UE10054
Tipo di cella : polimeri di litio
Capacità batteria : 10000 mAh/ 37 Wh (Max.)
Ingresso Nominale : Micro USB 5V/2A
Ingresso Nominale : USB-C 5V/2A
Potenza Nominale : USB-A 5V/2.1A (Max.)
Output totale : 10.5W (Max.)
Dimensioni : 141(L) x62.5(W) x16(H)mm
Peso : 228g±10g

DE

Technische Daten:

Modell : UE10054
Zellentyp : Lithium Polymer
Akkukapazität : 10000 mAh/ 37 Wh (Max.)
Eingangsspannung : Micro USB 5V/2A
Eingangsspannung : USB-C 5V/2A
Ausgangsspannung : USB-A 5V/2.1A (Max.)
Gesamtleistung : 10.5W (Max.)
Abmessungen : 141(L) x62.5(W) x16(H)mm
Gewicht : 228g±10g

Package Contents



PowerSafe Management

Guarantees against short circuit and over-charging for your power bank and devices.

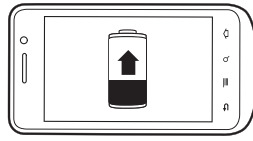


Customer Service

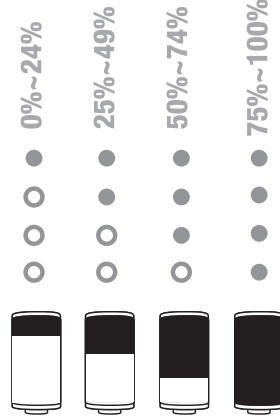
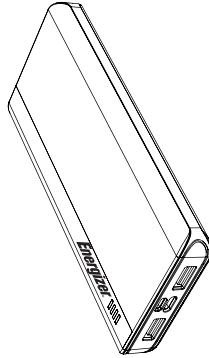
For any question about the product, please contact us at service@energizerpowerbanks.com

© 2020 Energizer. Energizer and certain graphic designs are trademarks of Energizer Brands, LLC and related subsidiaries and are used under license by TennRich International Corp. All other brand names are trademarks of their respective owners. Neither TennRich International Corp. nor Energizer Brands, LLC is affiliated with the respective owners of their trademarks.

How to USE

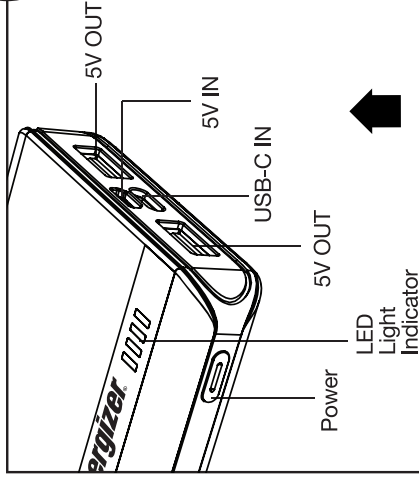
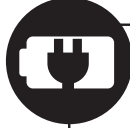


Press the power button to activate charging for your device(s)



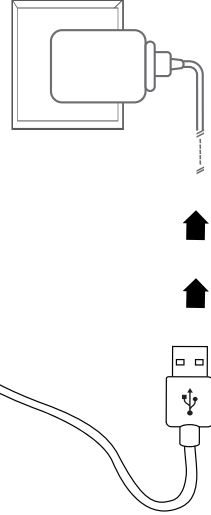
Blinking light indicates charging.
Solid light indicates fully charged.

How to Recharge



Connect the micro-USB or USB-C to the input port to recharge.

Connect the charging cable to a universal USB AC adapter.



Adapter NOT included

Safety Instructions

- Avoid water, heat, fire, penetration of the battery, and severe drops at all times.
- Do not insert other object to the USB ports other than the USB connectors
- Once the product is fully charged and no longer consuming power, your power pack automatically shuts off to save power
- During charge & recharge, battery may feel slightly warm.
- Do not clean the battery with water or other cleaning products, clean the exterior with a lightly wetted cloth or napkin
- Any intentional and physical damage to the battery will not be under the warranty conditions
- Battery storage temperature is between -10°C--60°C, operating temperature is 0°C--45°C
- Fully charge the battery before first use to maximize the battery life

WARRANTY

All products from the date of purchase are qualified for limited time warranty. For more warranty information, please visit: <http://www.energizerpowerbanks.com>

GARANTIE

Alle Produkte eignen sich ab dem Kaufdatum zu einer beschränkten Qualitätsgarantiezeit. Für zusätzliche Garantieinfos klicken Sie bitte auf: <http://www.energizerpowerbanks.com>

GARANTIE

Tous les articles bénéficient d'une garantie limitée dans le temps à partir de la date d'achat. Pour plus d'informations concernant la garantie, merci de visiter notre site : <http://www.energizerpowerbanks.com>

GARANZIA

Tutti i prodotti, a partire dalla data di acquisto, hanno la certificazione sulla qualità per un periodo limitato di tempo. Per ulteriori informazioni sulla garanzia si prega di visitare il sito: <http://www.energizerpowerbanks.com>

GARANTIA

Todos los productos desde la fecha de compra gozan de la garantía de tiempo limitado. Para más información sobre la garantía, puede visitar: <http://www.energizerpowerbanks.com>



Dispose the battery properly, seek for local disposal facility for advice. Do not dispose, disassemble, damage, or incinerate the battery at all time.